

BRISTAN

TAPS & SHOWERS

Installation Instructions & User Guide

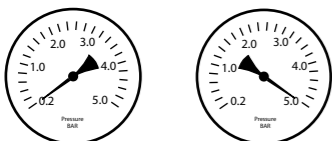
Please leave these instructions with the end user

Product Code: AS2 THBSMRR KIT C (D1)

Specifications

Working Pressures

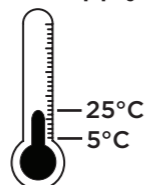
Min: 0.2 bar Max: 5.0 bar



Maximum Static Pressure: 10.0 bar

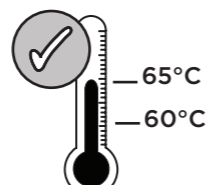
Inlet Water Temperature

Cold Water Supply



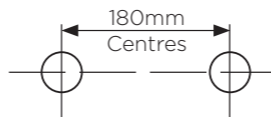
Min: 5°C Max: 25°C

Hot Water Supply



60-65°C Recommended

Inlet Dimensions



Inlet Connections

G 3/4"

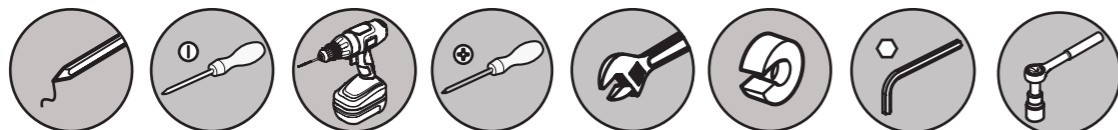
TMV DESIGNATION HP-S&T High Pressure - Shower & Tub

Factory pre-set 42°C



IMPORTANT
The inlet hot water must be at least 10°C above the required blend temperature.

Tools You'll need



Pencil Flat head Screwdriver Drill Cross head Screwdriver Spanner Pipe Cutter Hexagonal Keys Socket Spanner

Prior to Installation

All products manufactured and supplied by Bristan are safe to use provided that they are installed, operated and receive regular maintenance in accordance with these instructions.

This product needs to be installed in accordance with, and meet the requirements of the Water Supply (Water Fittings) Regulations 1999 and current by-laws. For full Installation Requirements & Notes (IRN) please visit wras.co.uk/directory.

Isolation valves must be fitted to the inlet water supplies to ensure ease of future maintenance.

Before installing this product the water supply must be thoroughly flushed in order to remove any swarf, solder etc.

This product must not be modified in any way as this will invalidate the guarantee.

Full access must be made available for future maintenance/servicing purposes.

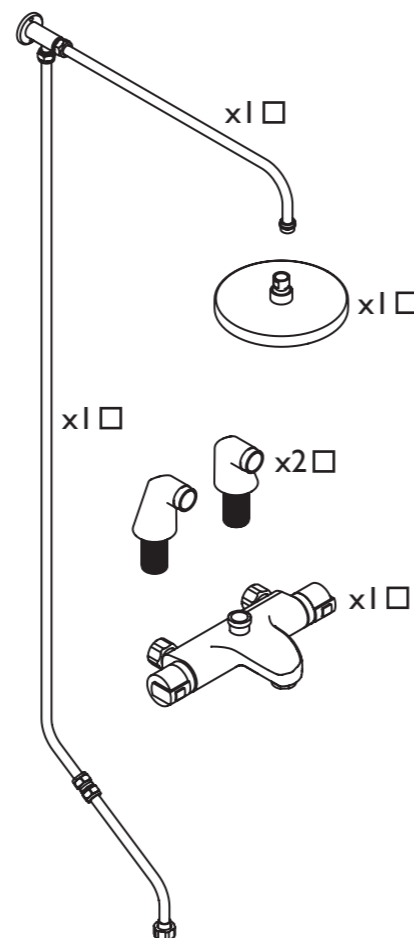
Before drilling into walls, check that there are no hidden electrical wires, cables or water supply pipes. This can be checked with the aid of an electronic detector.

If power tools are used do not forget to:
- Wear eye protection
- Unplug equipment after use

If in doubt, contact a registered plumber or your Local Water Authority or the Secretary of the Institute of Plumbing, address as follows:-

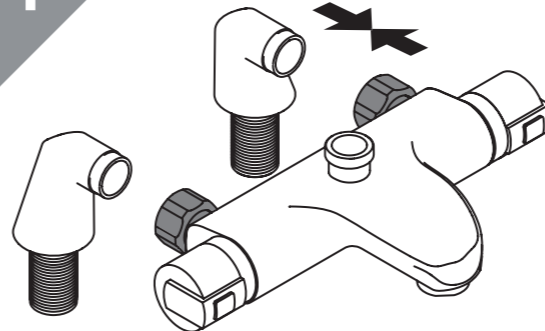
The Institute of Plumbing,
64 Station Lane,
Hornchurch,
Essex,
RM12 6NB, Tel: 01708 472791

Pack Contents



Installation

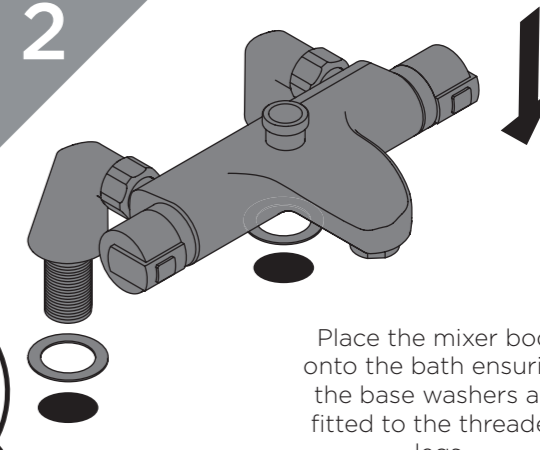
1



Place filter washers into the pillars and screw the pillar legs onto the mixer body.

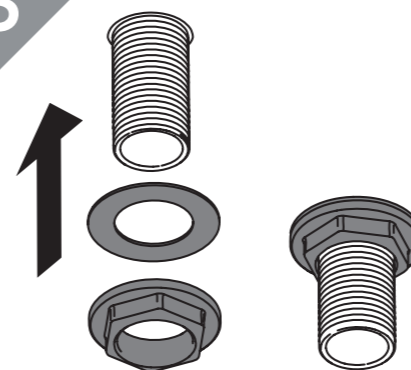
REMEMBER
hot on the left,
cold on the right

2



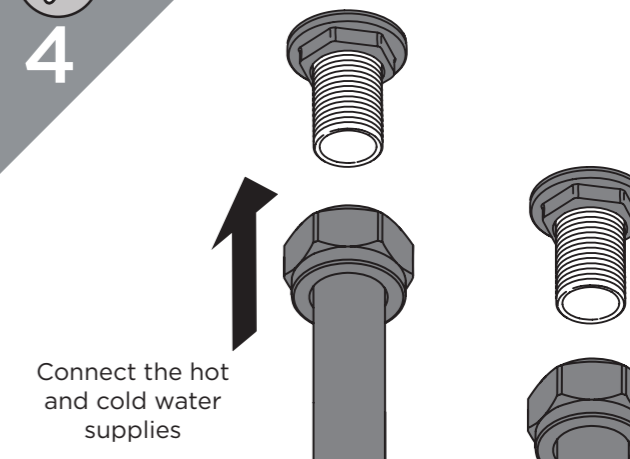
Place the mixer body onto the bath ensuring the base washers are fitted to the threaded legs

3



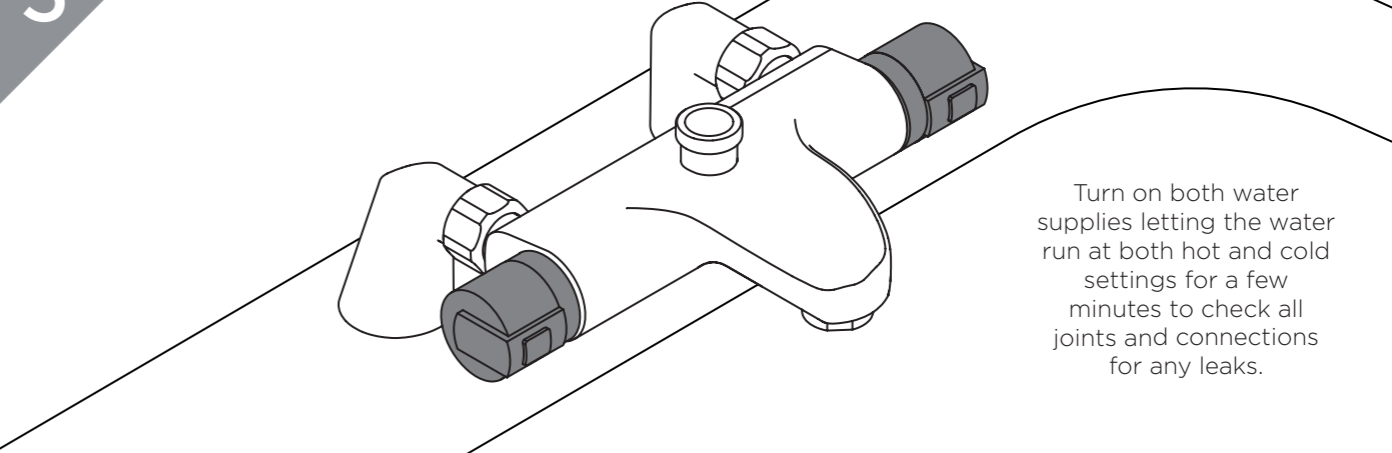
Push the washers onto the threaded pillar legs and screw the backnuts onto the threaded pillar legs and tighten fully against the underside of the bath.

4



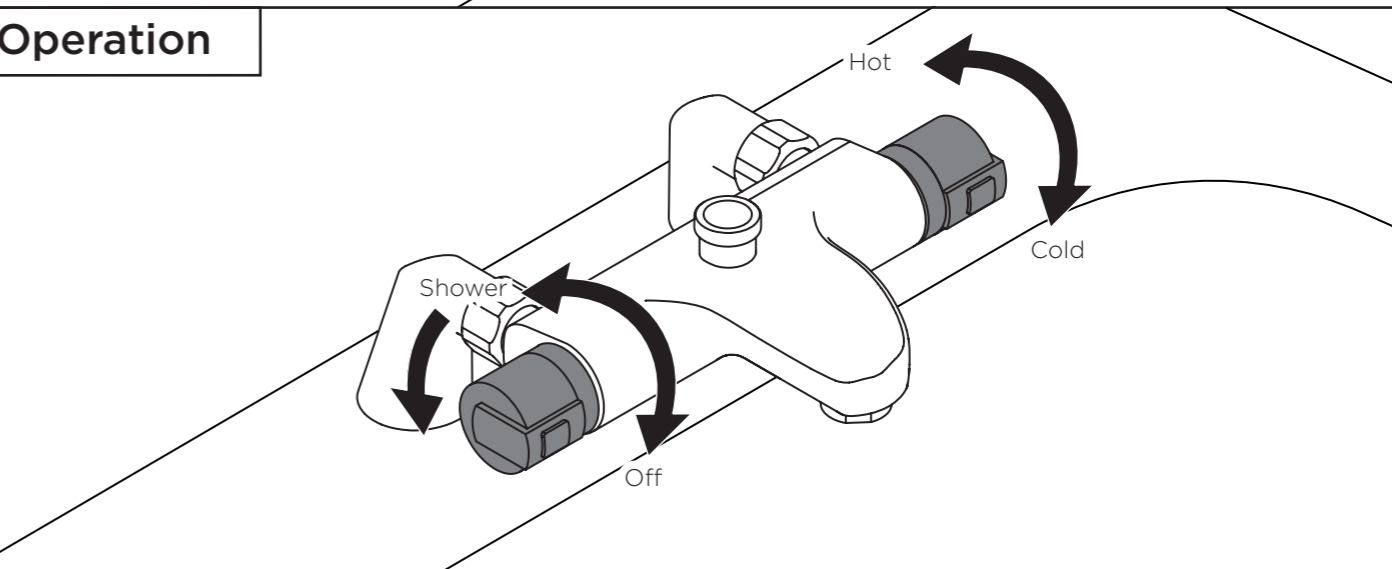
Connect the hot and cold water supplies

5



Turn on both water supplies letting the water run at both hot and cold settings for a few minutes to check all joints and connections for any leaks.

Operation



Maintenance - Cartridge Cleaning

1 Isolate the water supply before carrying out any maintenance.

2 Remove the flow handle

3 Remove the temperature handle

4 Remove cartridge retaining nut and diverter

5 Remove the grub screw then pull out the thermostatic cartridge

6 Remove accessible o-rings and clean the valve and cartridge

7 Reverse steps 5-2 to reinstall the valve, cartridge and handles.

8 Turn the water back on

To reduce the build up of limescale and to ensure this shower works to its maximum performance we recommend this shower is serviced every 6-12 months depending on the hardness of your water.

To replace any spare parts for your shower why not scan the QR Code and search for your product.

Temperature Setting

1 Turn flow handle to 'on' position, letting temperature stabilise.

2 Remove temperature handle

3 Turn cartridge spindle clockwise to decrease the temperature. Turn cartridge spindle anti-clockwise to increase the temperature.

4 Replace temperature handle

Riser Installation

1 Check the distance between the mixer when fitted to the bath and the wall to determine the required length of the offset riser (1) and vertical riser (2) and cut to suit installation.

2 Measure and cut the riser and arm to the desired length

3 Assemble the riser and use it to mark positions to drill. Drill the holes

4 Attach the riser to the bath shower mixer

5 Secure the riser to the wall & attach fixed head

Troubleshooting

Symptom	Cause	Remedy
No flow or low flow rate	Partially closed isolation valve.	Open isolation valve.
	Instantaneous water heater cycles on and off as flow rate or pressure is too low.	Increase water flow rate or pressure through system.
	Head of water is below the minimum distance required.	2 meters minimum required.
	Hot or cold water being drawn off elsewhere causing pressure changes or instantaneous boiler temperature changes.	Do not use other water outlets when using the taps.
Water dripping from shower	Airlock or partial blockage in the supply pipework.	Flush through pipework to ensure removal of debris and any airlocks.
	This is normal for a short time after using the shower.	This is caused by residual water tension, the build up of water in the shower.
Shower does not turn on	If water continues to drip, possibly due to the cartridge	Remove cartridge and clean, refer to 'Maintenance' section before starting any maintenance.
	Closed isolation valve.	Open isolation valve.
	Mains water supply turned off.	Turn on mains water supply.

At Bristan, we want to make things as easy as possible for our customers. That's why we offer solid guarantees on all our products, effective from the date of purchase, to give you peace of mind.

To start your free guarantee simply scan the QR code and register your product. Alternatively visit www.bristan.com/register.

For any other queries, please call our Customer Service on 0330 026 6273 where our expert team of advisors will be able to offer you any help and advice.

For full guarantee terms and conditions visit www.bristan.com/guarantees.



We Know & We Care